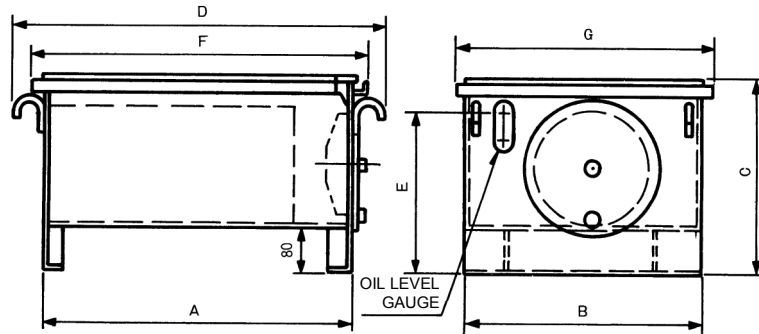


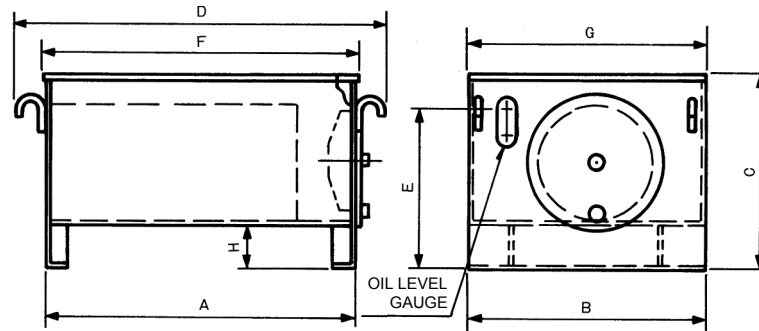
TECHNICAL DATA (RESERVOIRS)

(RESERVOIR WITH OIL PAN) HTS-TB-**



Model	Reservoir Capacity (L)	A	B	C	D	E	F	G	Reservoir Window	Mass (kg)
HTS-TB-N25	25	440	335	335	-	260	490	385	None	Approx. 27
HTS-TB-R40	40	540	410	400	668	295	590	460	Right	Approx. 42
HTS-TB-R63	63	660	450		788	321	710	500	Right	Approx. 55
HTS-TB-*100	100	750	510	460	896	372	800	560	Right or Left	Approx. 80
HTS-TB-*160	160	850	580	520	996	435	900	630	Right or Left	Approx. 100
HTS-TB-*250	250	1,070	660	550	1,250	465	1,120	710	Right or Left	Approx. 145
HTS-TB-*400	400	1,190	850	600	1,390	506	1,240	900	Right or Left	Approx. 225
HTS-TB-630	630	1,480	1,000	690	1,680	596	1,560	1,060	Both sides	Approx. 360
HTS-TB-800	800	1,500	1,150	730	1,700	634	1,580	1,210	Both sides	Approx. 450
HTS-TB-1000	1,000	1,780	1,200		1,980	638	1,860	1,260	Both sides	Approx. 535

(RESERVOIR WITHOUT OIL PAN) HTS-TC-**



Model	Reservoir Capacity (L)	A	B	C	D	E	F	G	H	Reservoir Window	Mass (kg)
HTS-TC-N25	25	440	335	335	-	260	450	345	100	None	Approx. 25
HTS-TC-R40	40	540	410	400	668	295	550	420		Right	Approx. 40
HTS-TC-R63	63	660	450		788	321	670	460		Right	Approx. 52
HTS-TC-*100	100	750	510	460	896	372	760	520		Right or Left	Approx. 75
HTS-TC-*160	160	850	580	520	996	435	860	590		Right or Left	Approx. 95
HTS-TC-*250	250	1,070	660	550	1,250	465	1,080	670		Right or Left	Approx. 140
HTS-TC-*400	400	1,190	850	600	1,390	506	1,200	860		Right or Left	Approx. 220
HTS-TC-630	630	1,480	1,000	690	1,680	596	1,500	1,000	150	Both sides	Approx. 345
HTS-TC-800	800	1,500	1,150	730	1,700	634	1,520	1,150		Both sides	Approx. 435
HTS-TC-1000	1,000	1,780	1,200		1,980	638	1,800	1,200		Both sides	Approx. 515

NOTE 1: SYMBOL "**" INDICATES THE RESERVOIR WINDOW POSITION.

R: RIGHT, L: LEFT

NOTE 2: MASS DOES NOT INCLUDE MASS OF FLUID.

NOTE 3: AN ORDER FOR A RESERVOIR ONLY IS NOT ACCEPTED.