

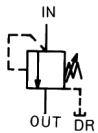
SEQUENCE VALVE / UNLOADING VALVE (HQ / HU)



This type of valve is used to control the operating sequence of the hydraulic circuit (sequence operation) or to relieve the pump pressure from the loaded state to the unloaded state (unloading operation).

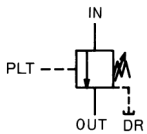
- Sequence valves are classified into three types, namely the internal pilot type, the external pilot type and the internal/external pilot type, according to the source of the pilot pressure.
- In the model designation, the symbol “**” indicates the pressure adjustment range.
 - 1: 0.3 to 0.85 MPa 4: 1.75 to 7 MPa
 - 2: 0.5 to 1.75 MPa 5: 3.5 to 14 MPa
 - 3: 0.85 to 3.5 MPa 6: 10.5 to 21 MPa
- Symbol 5 and symbol 6 are special specifications.
- With a sequence valve featuring an internal/external pilot type check valve, the selectable pressure adjustment range is “2” and higher.
- If subplate SHQ**-*T* is necessary, please order one separately.

● Internal Pilot Type Sequence Valve



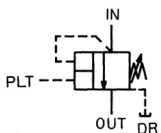
Nominal Size	Rated Flow (L/min)	Max. Operating Pressure (MPa)	Model	
			Thread-connection Type	Gasket-connection Type
02	5	14		HQ2-DG*-02A
03	35	21	HQ3-DT*-03	HQ3-DG*-03
06	120		HQ3-DT*-06	HQ3-DG*-06

● External Pilot Type Sequence Valve



Nominal Size	Rated Flow (L/min)	Max. Operating Pressure (MPa)	Model	
			Thread-connection Type	Gasket-connection Type
02	5	14		HQ2-DG*E-02A
03	35	21	HQ3-DT*E-03	HQ3-DG*E-03
06	120		HQ3-DT*E-06	HQ3-DG*E-06

● Internal/External Pilot Type Sequence Valve



Nominal Size	Rated Flow (L/min)	Max. Operating Pressure (MPa)	Model	
			Thread-connection Type	Gasket-connection Type
03	35	21	HQ3-DT*B-03	HQ3-DG*B-03
06	12		HQ3-DT*B-06	HQ3-DG*B-06

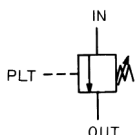
NOTE: Pressure adjustment range 1 (0.3 to 0.85 MPa) is not available.

Pilot Pressure Ratio - Internal/External Pilot Type Sequence Valve

Nominal Size	Pilot Pressure Ratio (NOTE)	
	Pressure Adjustment Range Code	
	2 to 4	5 to 6
03	$\frac{1}{10}$	$\frac{1}{18}$
06	$\frac{1}{10}$	$\frac{1}{16.5}$

NOTE: Pilot pressure ratio = External pilot pressure / Internal pilot pressure

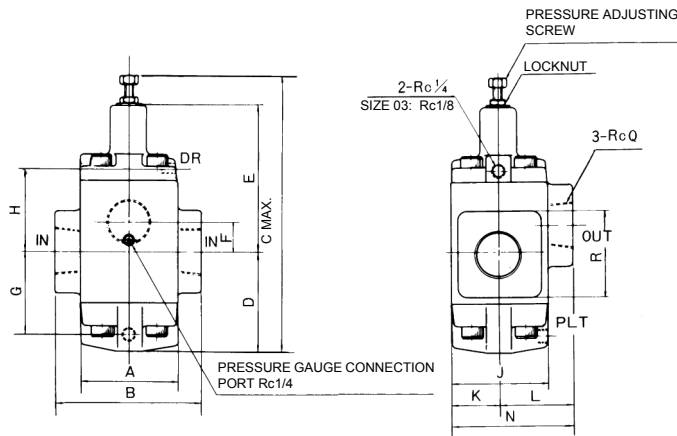
● Unloading Valve



Nominal Size	Rated Flow (L/min)	Max. Operating Pressure (MPa)	Model	
			Thread-connection Type	Gasket-connection Type
03	35	21	HU3-DT*E-03	HU3-DG*E-03
06	120		HU3-DT*E-06	HU3-DG*E-06

EXTERNAL DIMENSIONS

- HQ3-DT**_**
- HU3-DT*E-**

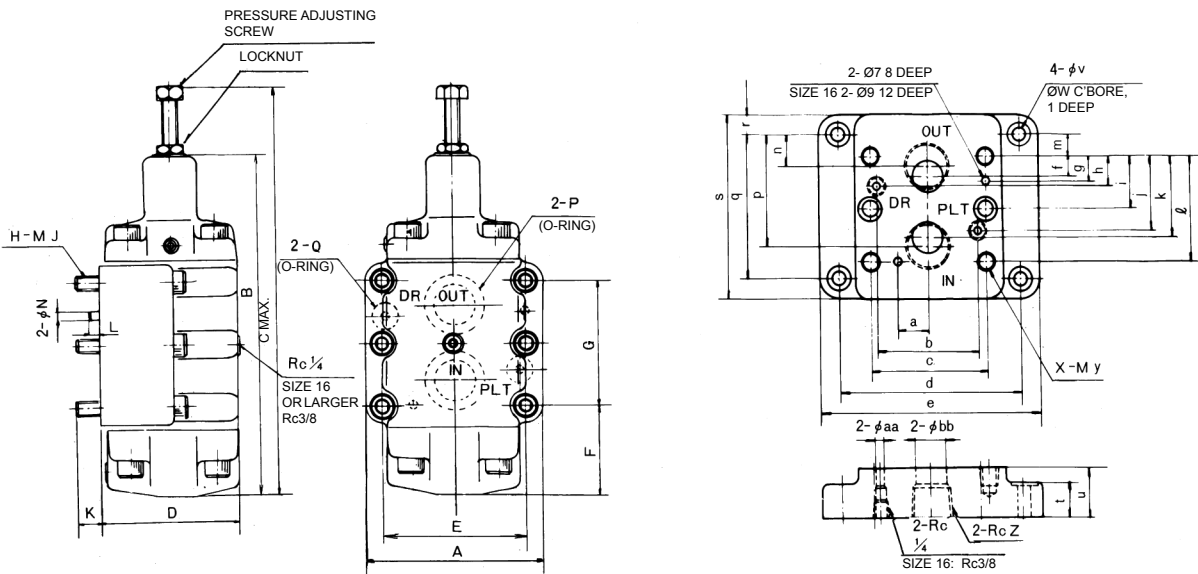


NOTE: UNLOADING VALVE HAS INTERNAL DRAIN LINE.

Model	A	B	C	D	E	F	G	H	J	K	L	N	Q	R	Mass (kg)
H*3-DT**-03	62	96	185	56	95	17	45.5	56	62	30	48	78	3/8	54	5
H*3-DT**-06	70	110	221	68.5	115.5	21.5	57.5	66.5	70	35	54	89	3/4	58	6

- HQ3-DG**_**
- HU3-DG*E-**

- SHQ**_**T1(A)



NOTE: FOR HQ2-DG*(E)-02A, REFER TO PAGE 82.

NOTE: FOR SHQ**_**T3, REFER TO PAGE 305.

Model	A	B	C	D	E	F	G	H	J	K	L	N	P	Q	Mass (kg)
H*3-DG**-03	88	151	185	67	67	43	43	4	10	15	6	6	JIS B2401-1AG21	JIS B2401-1AP11	3.8
H*3-DG**-06	102	184	221	75	80	50	60	4	10	16	6	6	JIS B2401-1AG30	JIS B2401-1AP16	5.8

Model	a	b	c	d	e	f	g	h	i	j	k	ℓ	m	n	p	q	r	s	t	u	v	w	x	y	z	aa	bb
SHQ03-03T1	19	51	67	106.4	130	7	11	21.5	-	21.5	36	43	0	5	38	43	11	65	11	25	11	17.5	4	10	3/8	5	14.5
SHQ03-04T1	19	51	67	106.4	130	7	11	21.5	-	21.5	36	43	4.5	7	45	52	11	74	11	30	11	17.5	4	10	1/2	5	14.5
SHQ06-06T1	24	68	80	124	146	11	16	21	-	39	49	60	0	6	54	60	18	96	11	35	11	17.5	4	10	3/4	6	19
SHQ06-08T1	24	68	80	124	146	11	16	21	-	39	49	60	6	7	65	72	18	108	11	43	11	17.5	4	10	1	5	19