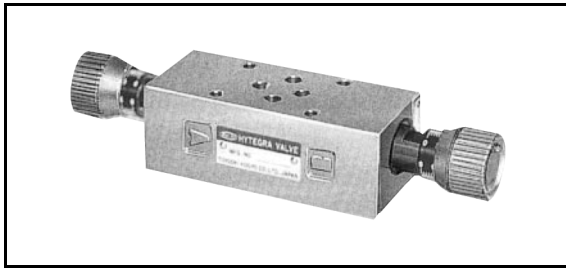


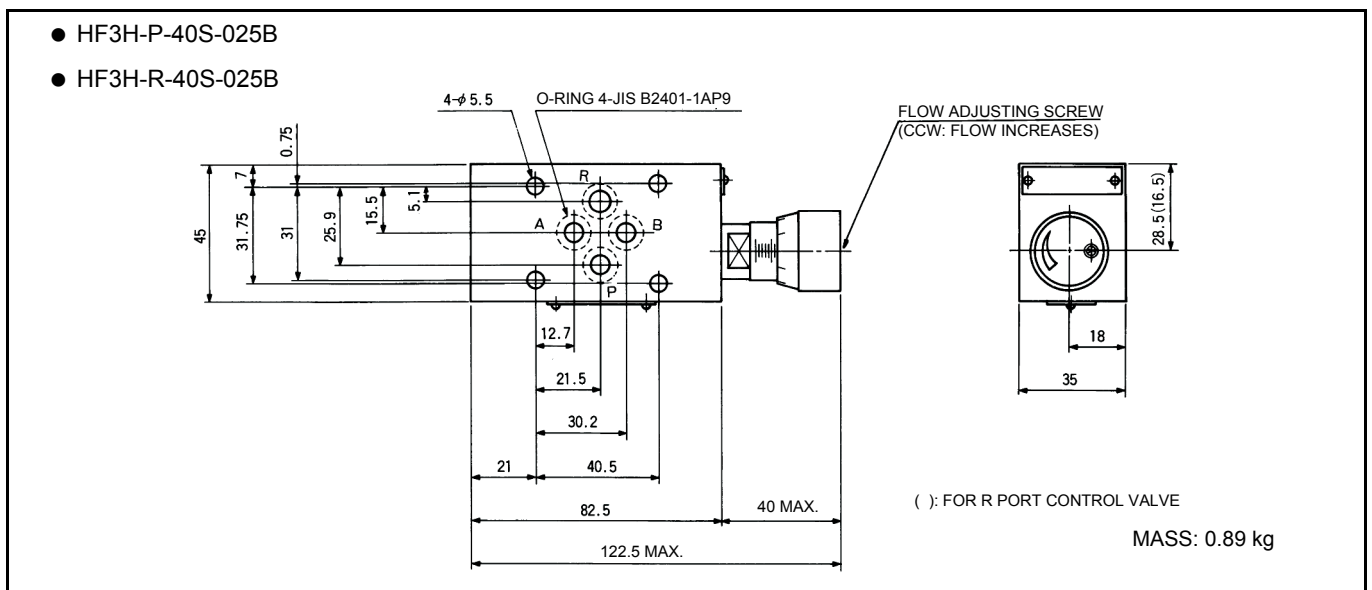
THROTTLE VALVE WITH FLOW ADJUSTING DIAL (HF3H) SIZE 025



SPECIFICATIONS

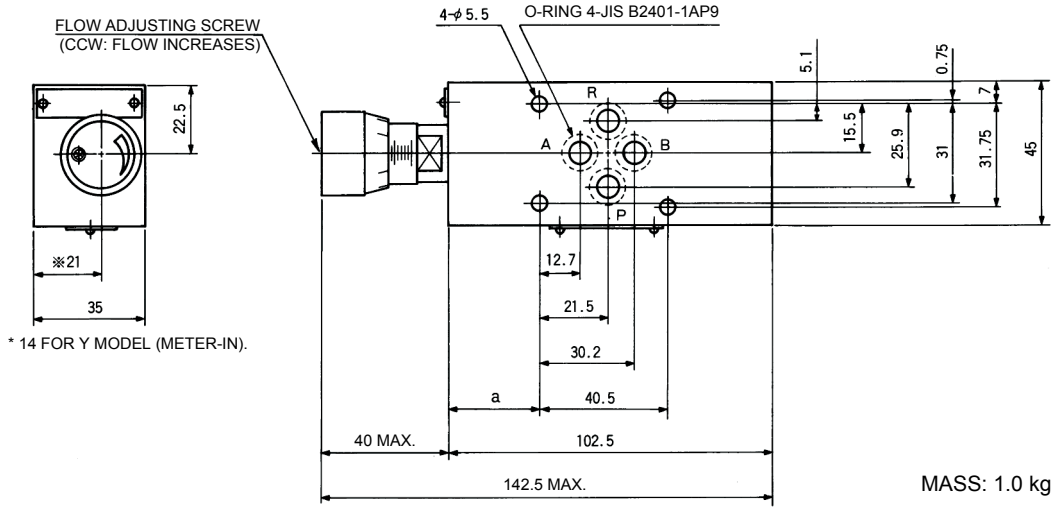
Controlled Port	Type	Model	Max. Operating Pressure (MPa)	Flow Adjustment Range (L/min)	Cracking Pressure of Check Valve (MPa)	Symbol
P		HF3H-P-40S-025B	25	0.5 to 40	0.04	
R		HF3H-R-40S-025B				
A	Meter-out	HF3H-A-40SK-025B				
	Meter-in	HF3H-AY-40SK-025B				
B	Meter-out	HF3H-B-40SK-025B				
	Meter-in	HF3H-BY-40SK-025B				
A / B	Meter-out	HF3H-W-40SK-025B				
	Meter-in	HF3H-WY-40SK-025B				

EXTERNAL DIMENSIONS

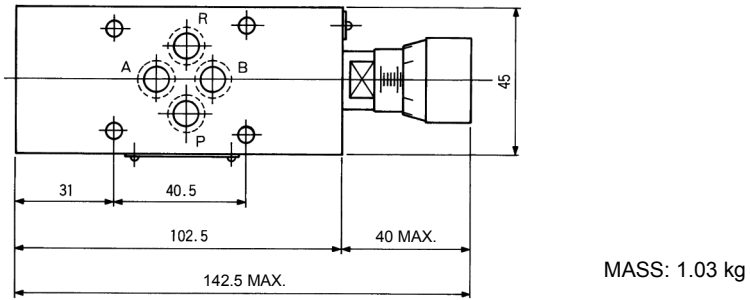


EXTERNAL DIMENSIONS

● HF3H-A(Y)-40SK-025B



● HF3H-B(Y)-40SK-025B



● HF3H-W(Y)-40SK-025B

