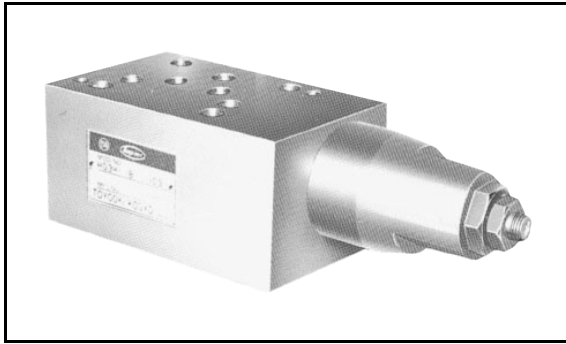


PRESSURE REDUCING VALVE (HG3H) SIZE 025 / 03 / 06

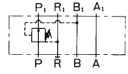
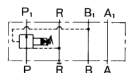
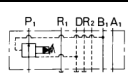
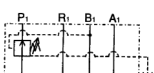
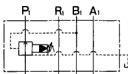
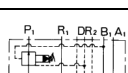


- If back pressure is applied to the drain port, the setting pressure increases by the applied back pressure. Due attention must be paid especially to the R port back pressure when an internal drain type pressure reducing valve is used.
- The pressure in the reduced pressure circuit should be set at least 1.0 MPa lower than the pressure in the main circuit.

SPECIFICATIONS

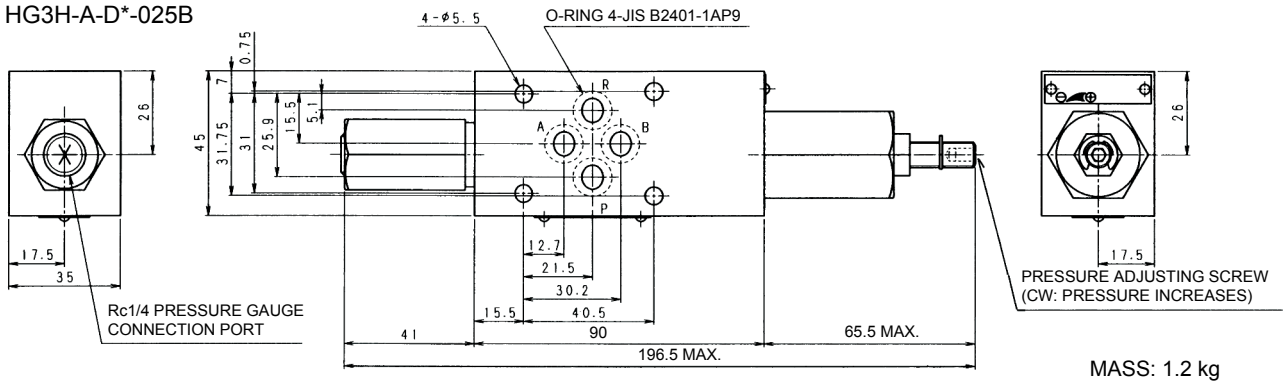
Controlled Port	Structure Category	Model	Max. Operating Pressure (MPa)	Rated Flow (L/min)	Max. Flow (L/min)	Symbol	Pressure Adjustment Range (MPa)
P	Internal Drain	HG3H-P-D*-025B	25	20	40		Size 025 * symbol 4: 0.7 to 7 5: 3.5 to 14 Size 03, 06 * symbol 1: 0.7 to 7 2: 3.5 to 14 3: 10.5 to 21
		HG3H-B*-03(P)	21	40	80		
		HG3H-P-B*-06		120	190		
	External Drain	HG3H-P-D*D-025B	25	20	40		
		HG3H-B*D-03(P)	21	40	80		
		HG3H-P-B*D-06		120	190		
A	Internal Drain	HG3H-A-D*-025B	25	20	40		
		HG3H-B*-03(A)	21	40	80		
		HG3H-A-B*-06		120	190		
	External Drain	HG3H-A-D*D-025B	25	20	40		
		HG3H-B*D-03(A)	21	40	80		
		HG3H-A-B*D-06		120	190		

SPECIFICATIONS

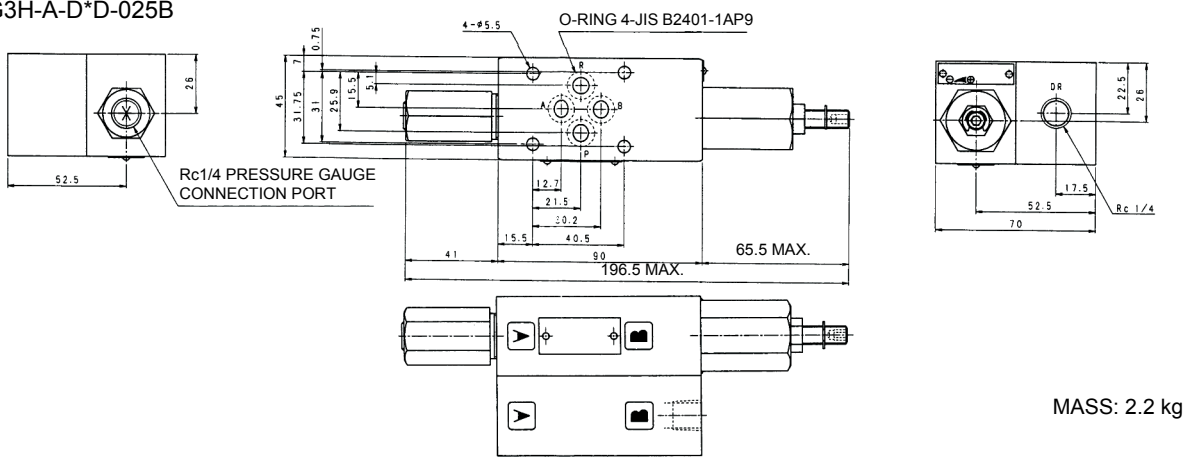
Controlled Port	Structure Category	Model	Max. Operating Pressure (MPa)	Rated Flow (L/min)	Max. Flow (L/min)	Symbol	Pressure Adjustment Range (MPa)
B	Internal Drain	HG3H-B-D*-025B	25	20	40		Size 025 * symbol 4: 0.7 to 7 5: 3.5 to 14 Size 03, 06 * symbol 1: 0.7 to 7 2: 3.5 to 14 3: 10.5 to 21
		HG3H-B*-03(B)	21	40	80		
		HG3H-B-B*06		120	190		
	External Drain	HG3H-B-D*D-025B	25	20	40		
		HG3H-B*D-03(B)	21	40	80		
		HG3H-B-B*D-06		120	190		

EXTERNAL DIMENSIONS

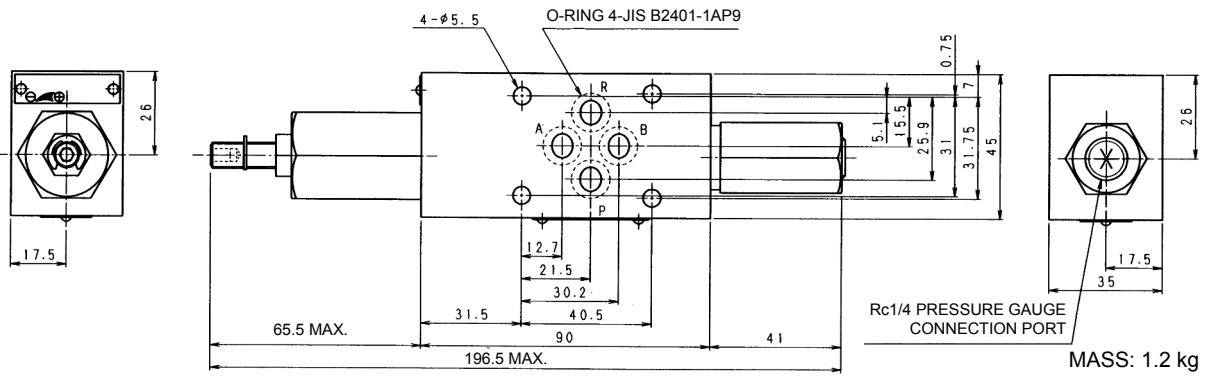
- HG3H-P-D*-025B
- HG3H-A-D*-025B



- HG3H-P-D*D-025B
- HG3H-A-D*D-025B



- HG3H-B-D*-025B



- HG3H-B-D*D-025B

