

# VARIABLE THROTTLE VALVE (HF)

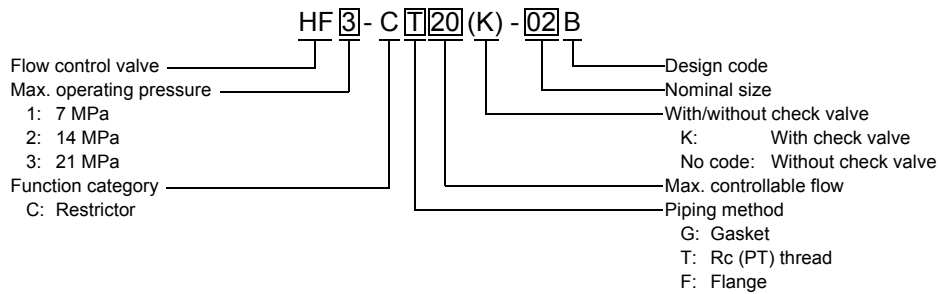


This valve controls flow by changing the cross-sectional area through which fluid flows. If the pressure difference between the IN and OUT ports varies, the flow that passes through the throttle varies.

The valve is appropriate in applications where the pressure difference between the IN and OUT ports is small and slight variations in flow are permissible.

- When the valve is provided with a check valve, the check valve cracking pressure is 0.04 MPa.

## MODEL DESIGNATION



### ● Variable Throttle Valve without Check Valve



Nominal Size	Rated Flow (L/min)	Model		
		Thread-connection Type		Flange-connection Type
02	20	HF3-CT20-02B		
03	30	HF3-CT30-03B	HF1-CT30-03	
04	50			HF3-CF50-04A
06	75		HF1-CT75-06	HF3-CF75-06A
Max. Operating Pressure MPa		21	7	21

### ● Variable Throttle Valve with Check Valve

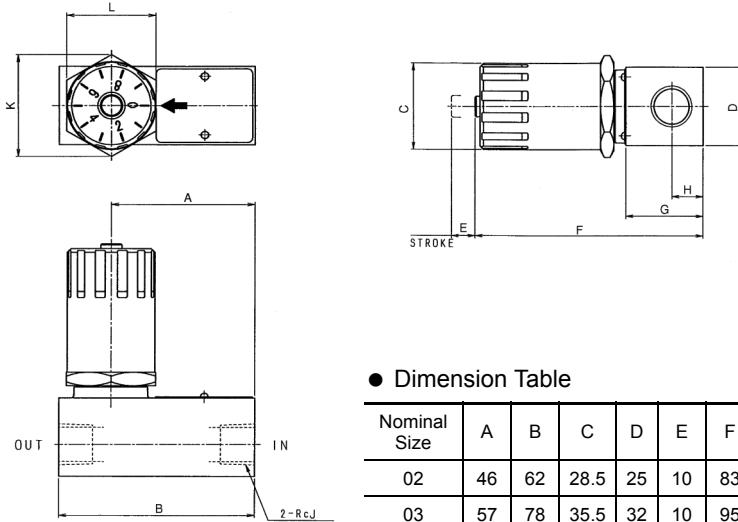


Nominal Size	Rated Flow (L/min)	Free Flow (L/min)	Model	
			Thread-connection Type	Flange-connection Type
02	20	20	HF3-CT20K-02B	
03	30	30	HF3-CT30K-03B	HF1-CT30K-03
04	50	50		HF3-CF50K-04A
06	75	75		HF1-CT75K-06
Max. Operating Pressure MPa			21	7
				21

**NOTE:** With the gasket-connection type valve, HF2-CG5K-01, the maximum operating pressure is 14 MPa.

**EXTERNAL DIMENSIONS**

● HF3-CT\*\*(K)-\*\*

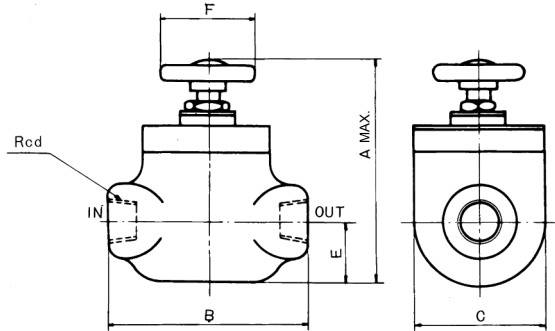


● Dimension Table

(Unit: mm)

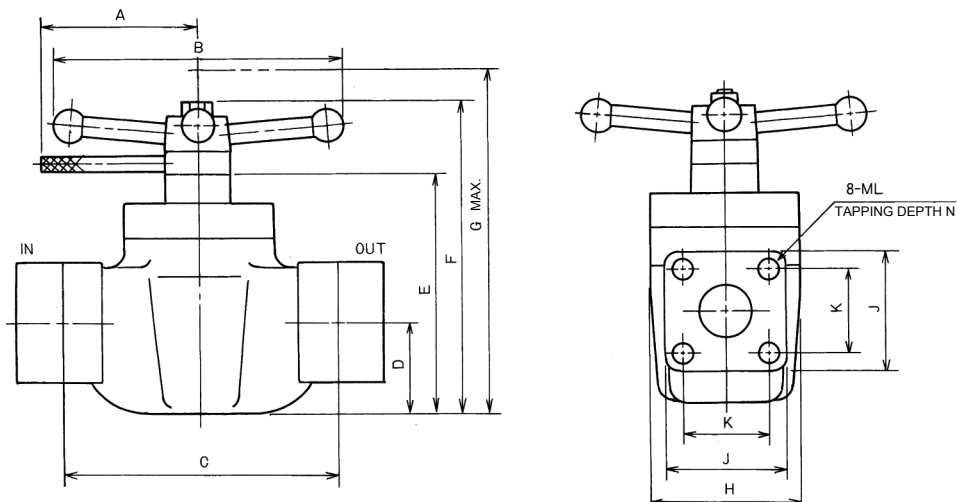
Nominal Size	A	B	C	D	E	F	G	H	J	K	L	Mass (kg)
02	46	62	28.5	25	10	83	25	10.5	1/4	34.6	30	0.5
03	57	78	35.5	32	10	95	32	13	3/8	41.6	36	0.9

● HF1-CT\*\*(K)-\*\*



Model	A	B	C	E	F	d	Mass (kg)
HF1-CT30(K)-03	110.5	83	58	29	55	3/8	1.2
HF1-CT75(K)-06	140.5	114	71	37	55	3/4	2.5

● HF3-CF\*\*(K)-\*\*



Model	A	B	C	D	E	F	G	H	J	K	L	N	Used Flange	Mass (kg)
HF3-CF50(K)-04A	70	135	140	46	111	145	167	76	58	36	10	17	JIS B 2291SSA-15	5.5
HF3-CF75(K)-06A	70	135	140	46	111	145	167	76	58	40	10	17	JIS B 2291SSA-20	5.5