

MANUALLY OPERATED DIRECTIONAL CONTROL VALVE (HD*) (ROTARY TYPE) SIZE 02 / 04



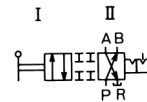
This type of valve switches the direction of flow of the hydraulic fluid in response to operation of the manual lever.

The rotary spool holds the switched position.

⚠ Cautions on Use

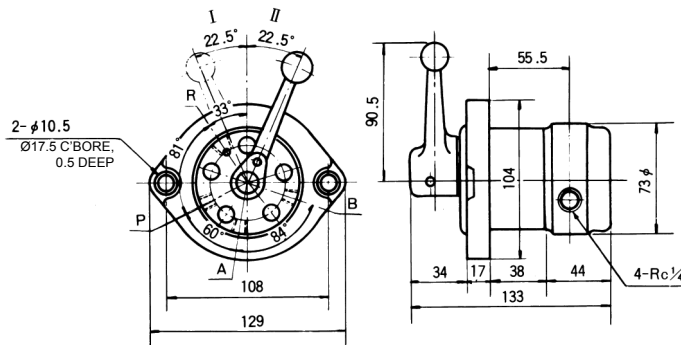
Please read the Instruction Manual carefully to ensure correct usage.

Nominal Size	Rated Flow (L/min)	Max. Operating Pressure (MPa)	Permissible Back Pressure (MPa)	Model
02	11	7	0.04	HD1-R42LTD-AcB-02



HD1-R42LTD-AcB-02

● HD1-R42LTD-AcB-02



MASS: 4 kg

MANUALLY OPERATED DIRECTIONAL CONTROL VALVE (HD*) (SLIDE SPOOL TYPE) SIZE 025



This type of valve switches the direction of flow of hydraulic fluid in response to operation of the manual lever.

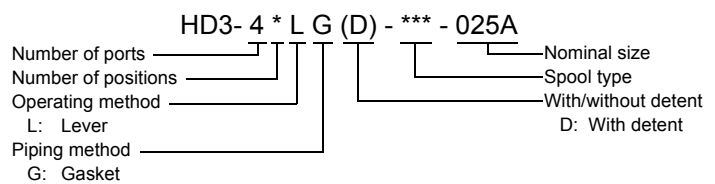
A manual lever switches the spool position instead of the solenoid used in a solenoid valve.

- The valve has interchangeability with the solenoid operated directional control valves of the 025A series.
- Three types of valve (spring center type, spring offset type, and detent type) are available as standard.
- If valves other than those indicated below are required, please consult us.
- If subplate SHD025-**T*(A) is necessary, please order one separately.
- Finish the mounting faces to the same quality as the valve faces (3.2 μmRz).

⚠ Cautions on Use

Please read the Instruction Manual carefully to ensure correct usage.

MODEL DESIGNATION

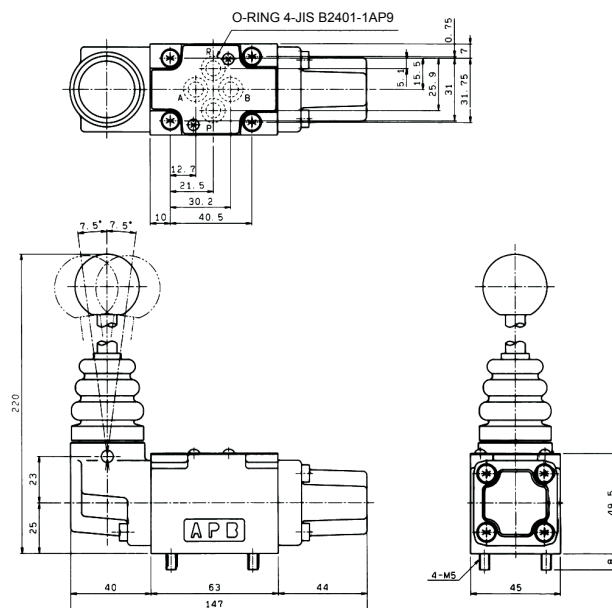


For , refer to table below.

Nominal Size	Rated Flow (L/min)	Max. Operating Pressure (MPa)	Permissible Back Pressure (MPa)	Model
025	27	25	7	HD3 - <input type="checkbox"/> LG(D)-***-025A

Spring Center Type		Spring Offset Type		No Spring Type (with Detent)	
 43LG-BCA	 43LG-AEB	 42LG-BcA	 43LGD-BCA	 43LGD-AEB	 42LGD-BcA
 43LG-BDA	 43LG-BMA	 42LG-BdA	 43LGD-BMA	 43LGD-BMA	 42LGD-BdA
 43LG-BGA		 42LG-KcP	 43LGD-BGA		 42LGD-KcP

● HD3-4*LG(D)-***-025A



- FOR SUBPLATES, REFER TO THE FOLLOWING PAGES.
 SHD025-**T1A: PAGE 302
 SHD025-**T3A: PAGE 306

MASS: 1.7 kg

MANUALLY OPERATED DIRECTIONAL CONTROL VALVE (HD*) (SLIDE POOL TYPE) SIZE 03



This type of valve switches the direction of flow of hydraulic fluid in response to operation of the manual lever.

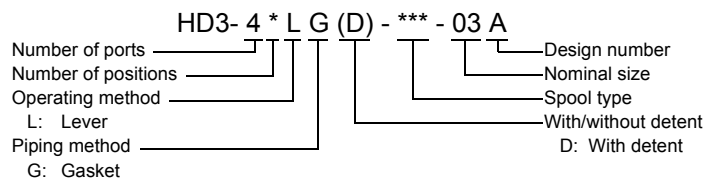
A manual lever switches the spool position instead of the solenoid used in a solenoid valve.

- The valve has interchangeability with the solenoid operated directional control valves of the 03A series.
- Three types of valve (spring center type, spring offset type, and detent type) are available as standard.
- If valves other than those indicated below are required, please consult us.
- If subplate SHD03-***T*(A) is necessary, please order one separately.
- Finish the mounting faces to the same quality as the valve faces (3.2 μmRz).

⚠ Cautions on Use

Please read the Instruction Manual carefully to ensure correct usage.

MODEL DESIGNATION

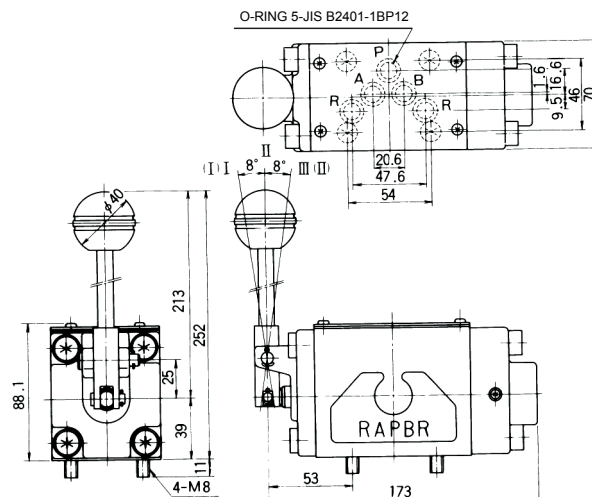


For , refer to the table below.

Nominal Size	Rated Flow (L/min)	Max. Operating Pressure (MPa)	Permissible Back Pressure (MPa)	Model
04	40	21	17	HD3 - -03A

Spring Center Type		Spring Offset Type	No Spring Type (with Detent)		
43LG-BCA	43LG-AEB	42LG-BcA	43LGD-BCA	43LGD-AEB	42LGD-BcA
43LG-BDA	43LG-BMA	42LG-BdA	43LGD-BDA	43LGD-BMA	42LGD-BdA
43LG-BGA		42LG-BgA	43LGD-BGA		42LGD-BgA

● HD3-4*LG(D)-***-03A



- FOR SUBPLATES, REFER TO THE FOLLOWING PAGES.
SHD03-***T1A: PAGE 302
SHD03-***T3: PAGE 306

MASS: 4.8 kg