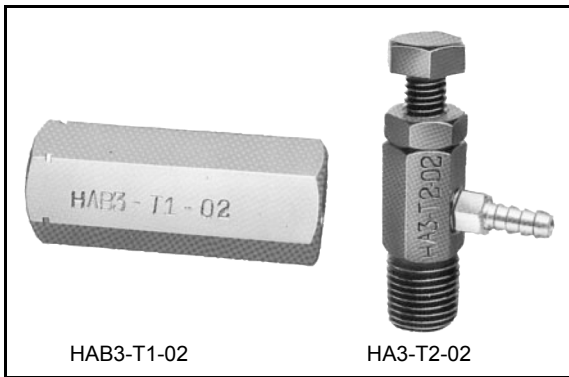


AIR BLEED VALVE (HAB3, HA3)



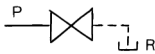
HAB3-T1-02

HA3-T2-02

SYMBOL



HAB3-T1-02



HA3-T2-02

The air bleed valve is installed at the discharge side of a pump or the actuator side to allow air to automatically escape from the circuit.

(HAB3-T*-02)

- The valve is installed at the discharge side of a pump to automatically bleed air from the circuit when the pump starts or to prevent entry of air into the circuit.

(HA3-T2-02)

- The valve is installed at the actuator side to automatically bleed air from the circuit.

SPECIFICATIONS

• HAB3-T*-02

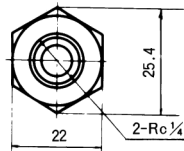
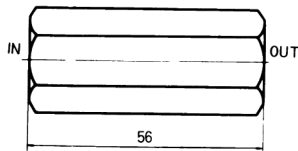
Model	HAB3-T1-02	HAB3-T2-02
Max. Operating Pressure MPa	21	
Discharge Category of the Pump to Be Used L/min	1.5 to 75	6 to 400
Flow with Valve Closed L/min	1.2	5.6
Valve Close Holding Pressure MPa	21	

• HA3-T2-02

Model	HA3-T2-02
Max. Operating Pressure MPa	21

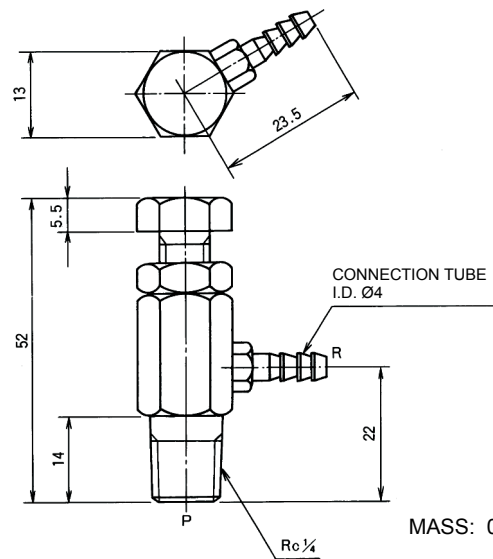
EXTERNAL DIMENSIONS

• HAB3-T1-02



MASS: 0.2 kg

• HAB3-T2-02



MASS: 0.2 kg